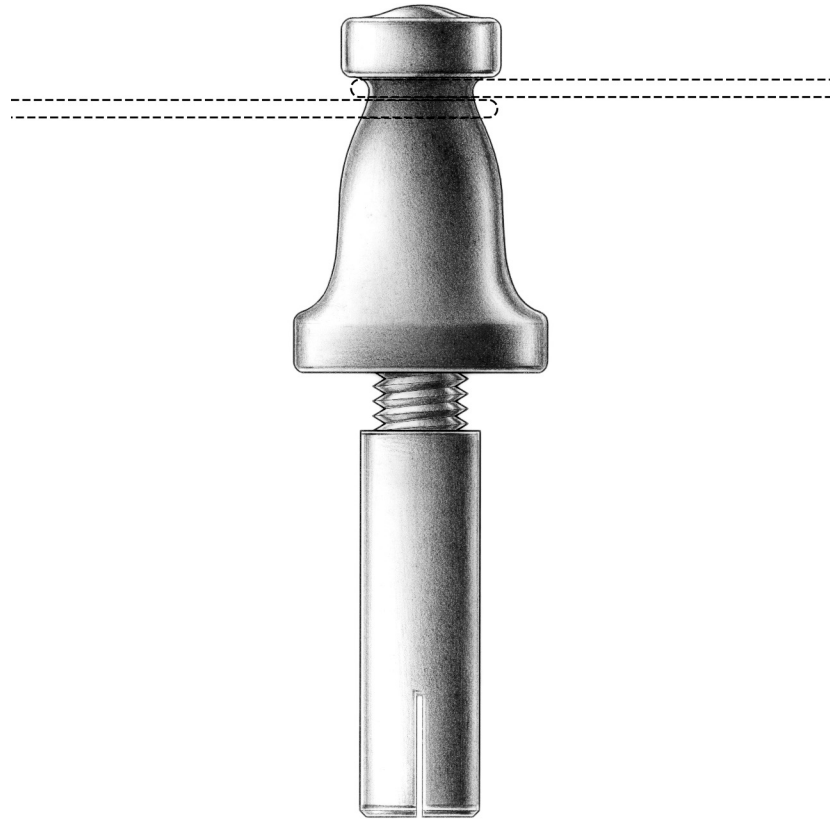


E. R. BUTLER & CO.



PREMIUM GRADE

## Garden Trellis Stud

*E. R. Butler & Co. Collection*

Available in  $1\frac{1}{2} \times 1\frac{7}{8}$ " (Base Diameter  $\times$  Projection) for  $1\frac{1}{2}$ " Wire Distance.

Supplied with 18-8 Stainless Stud and Anchor.

Typical Wire Diameter: 14 Gauge (0.064").

Solid Turned Brass.

Standard, Custom Plated and Patinated Finishes Available.

*Full Scale*

FINE ARCHITECTURAL, BUILDERS' AND CABINETMAKERS' HARDWARE