

COLLECTION 1912

ART DECO



MAISON VERVLOET

SINCE 1905

HANDMADE FOR HANDS



PULL HANDLE 1912



OLIVE 1912 ON ROSE 725



THUMB TURN 1912
ON ROSE 725



LEVER HANDLE 1912
ON ROSE 725



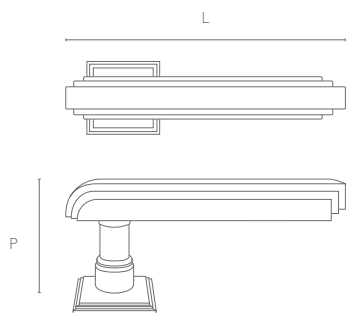
OLIVE 1912
ON PLATE 1912



LEVER HANDLE 1912
ON PLATE 1912

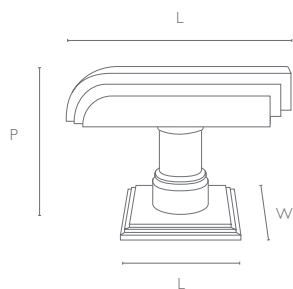
COLLECTION 1912

ART DECO



LEVER HANDLE 1912

128 mm x 54 mm (LxP)



OLIVE 1912 ON ROSE 725

Olive : 83 mm x 55 mm (LxP)

Rose : 45 mm x 45 mm (LxW)

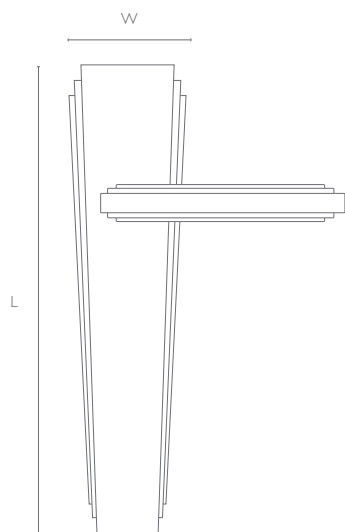


PLATE 1912

282 mm x 50 mm (LxW)

MAISON VERVLOET

SINCE 1905

HANDMADE FOR HANDS



Vervloet is an outstanding reference with more than a century of experience in the field of decorative hardware. Every piece of Vervloet's collection is moulded and cast in the purest bronzes and brasses, then chased and finished by highly qualified craftsmen. The company offers a vast range of possibilities. Thousands of models, result of several generations of master bronze craftsmen.

All the different stages of manufacturing (casting, chiseling, adjusting, polishing, gilding) have been integrated in Vervloet's workshop and are carried out by craftsmen for whom "art" still means something. Our process is in no way to be compared with the chain – worked industrial products.

Vervloet pieces produced are real jewels, each one finished by hand.



Rue de la Borne 78 | 1080 Brussels | Belgium

T +32 (0) 2 410 61 50 | F +32 (0) 2 410 63 81

info@vervloet.com | www.vervloet.com